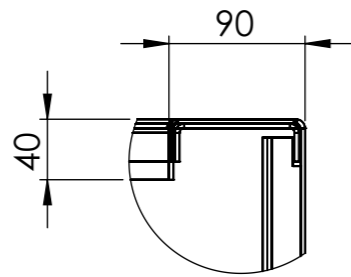
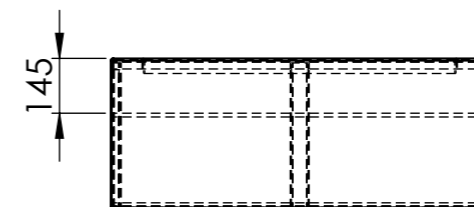
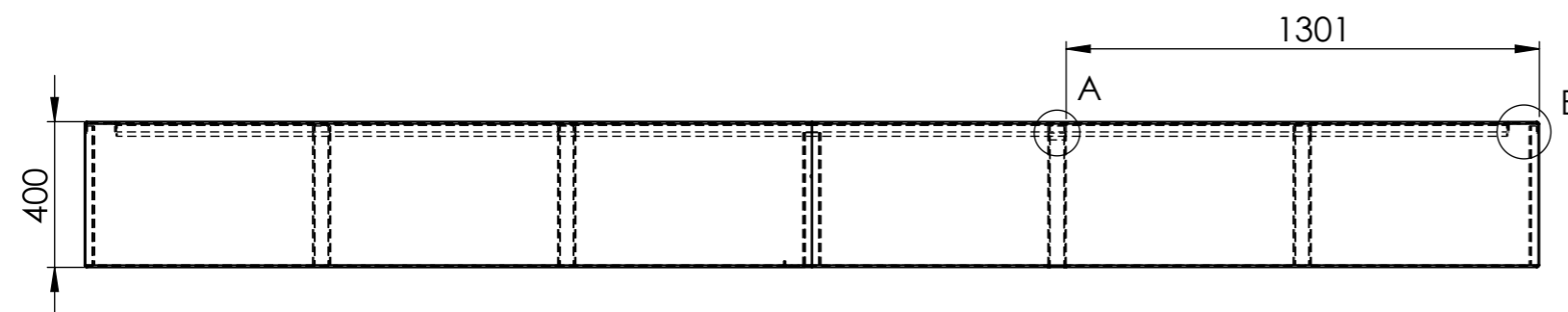
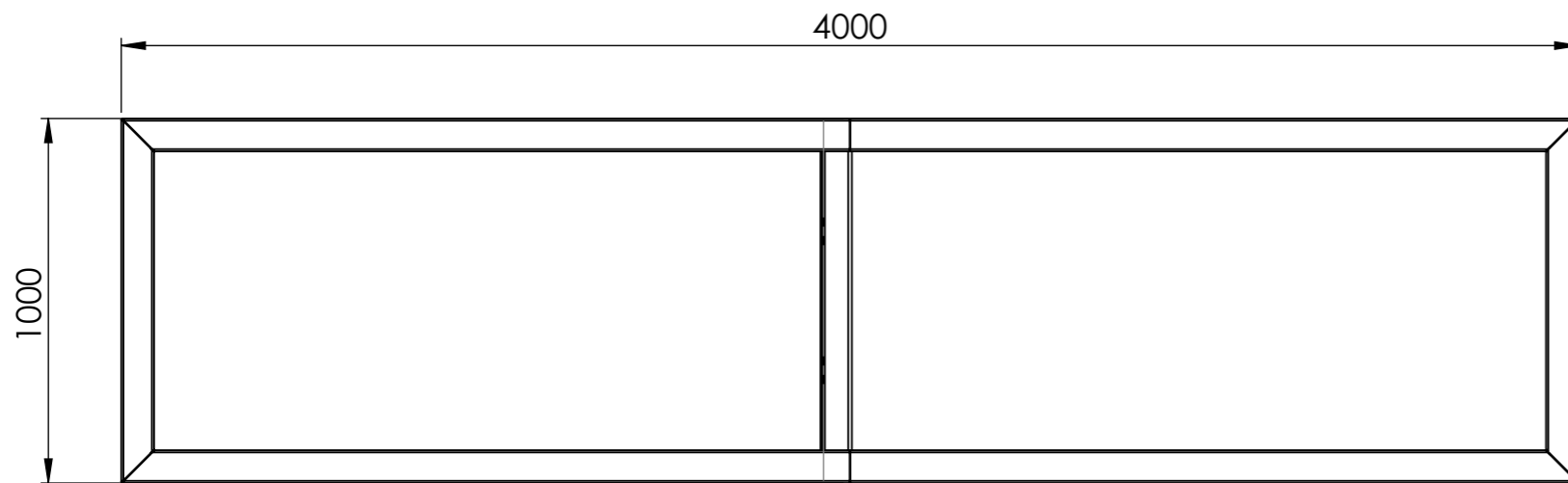
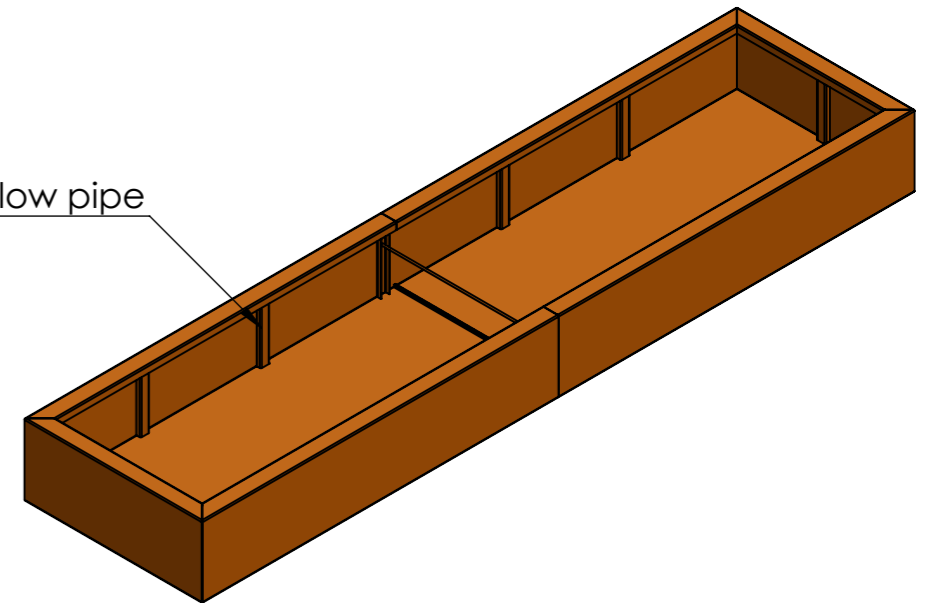


DETAIL A  
SCALE 1 : 5



DETAIL B  
SCALE 1 : 5

Overflow pipe



		DATE		TITLE:
DRAWN	Luuk van den Heuvel	2-2-2020		
REVISION	Bas Vlamings	5-4-2024		

**ADEZZ**  
DESIGN TO GROW

Liessentstraat 4, 5405 AG Uden (NL).  
 † 0031 (0)413 - 27 41 68.  
 e info@adezz.com, i www.adezz.com

3mm Corten

Drawing: VC3.1\_\_

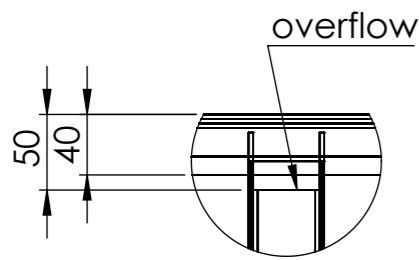
A3

Color: -

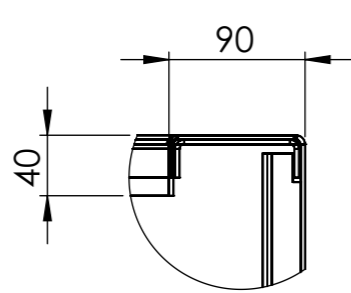
Mass (kg): **258,68**

SCALE:1:20

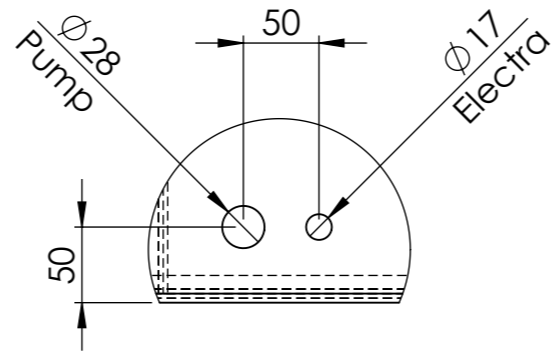
SHEET 1 OF 17



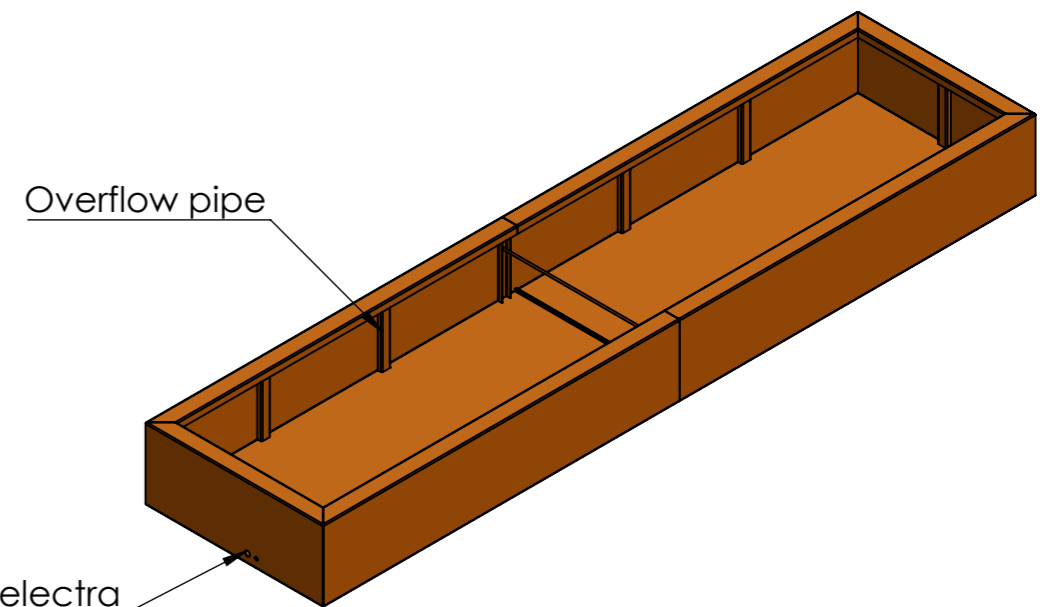
DETAIL A  
SCALE 1 : 5



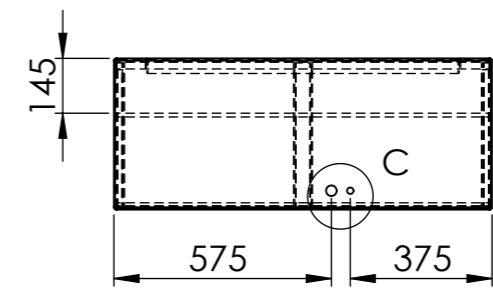
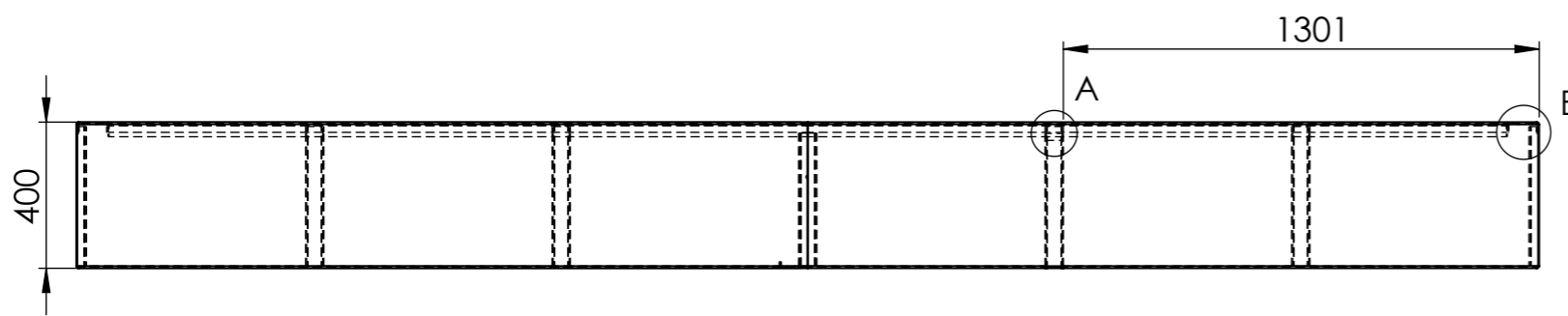
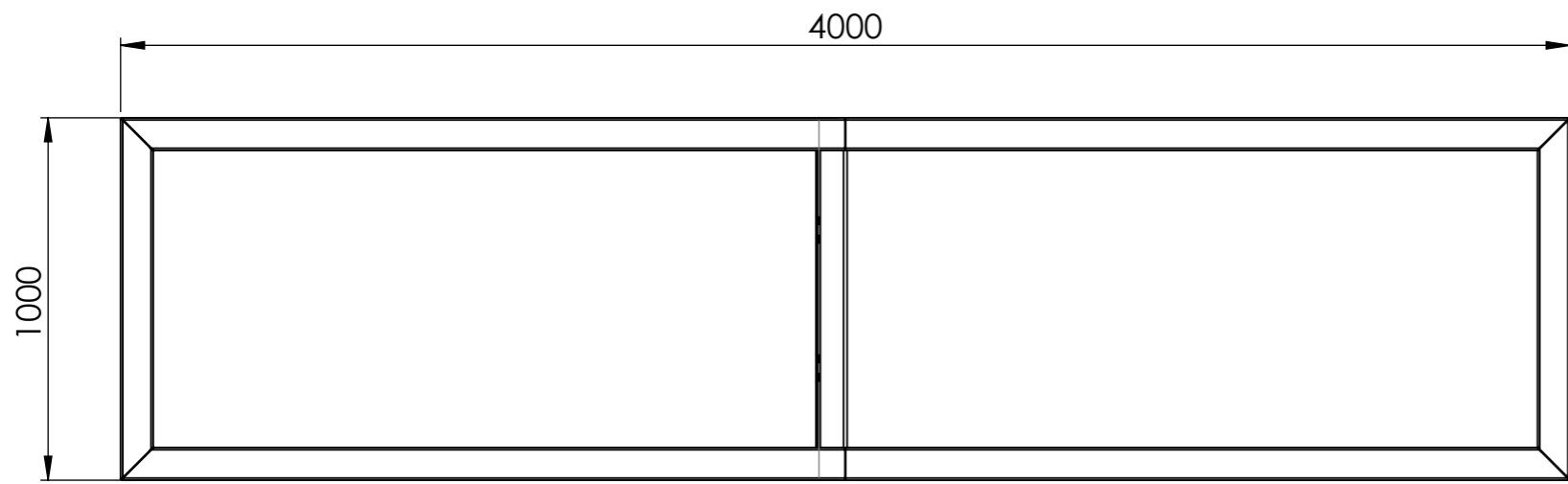
DETAIL B  
SCALE 1 : 5



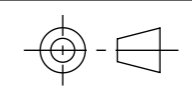
DETAIL C  
SCALE 1 : 5



Pump and electra



DRAWN	Luuk van den Heuvel	DATE	2-2-2020
REVISION	Bas Vlamings	DATE	5-4-2024



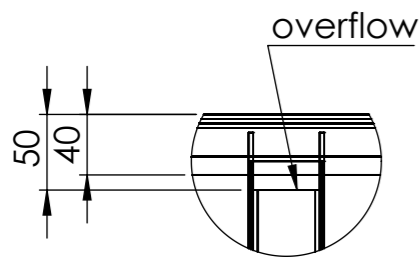
TITLE: 3mm Corten

**ADEZZ**  
DESIGN TO GROW

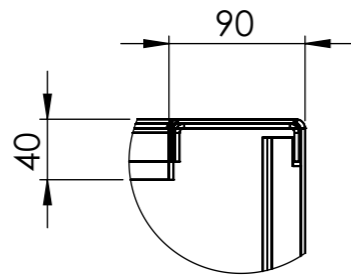
Liessentstraat 4, 5405 AG Uden (NL).  
t 0031 (0)413 - 27 41 68.  
e info@adezz.com, i www.adezz.com

Drawing: VC3.1\_\_ A3

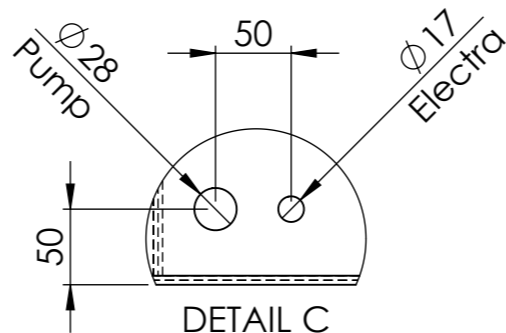
Color:	-	Mass (kg):	<b>258,66</b>	SCALE:1:20	SHEET 1 OF 17
--------	---	------------	---------------	------------	---------------



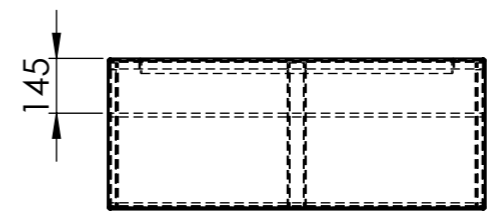
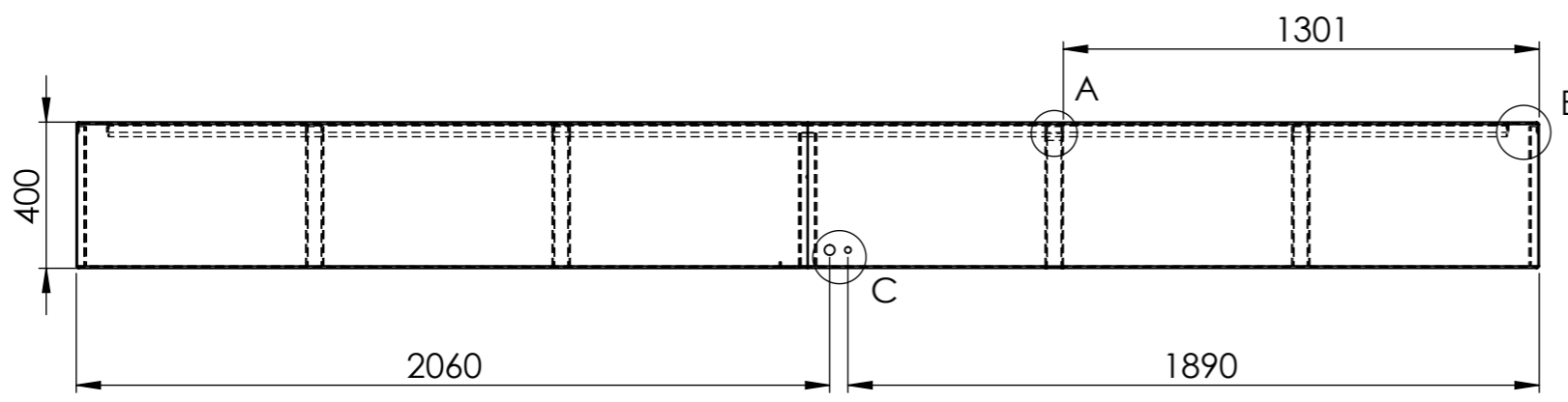
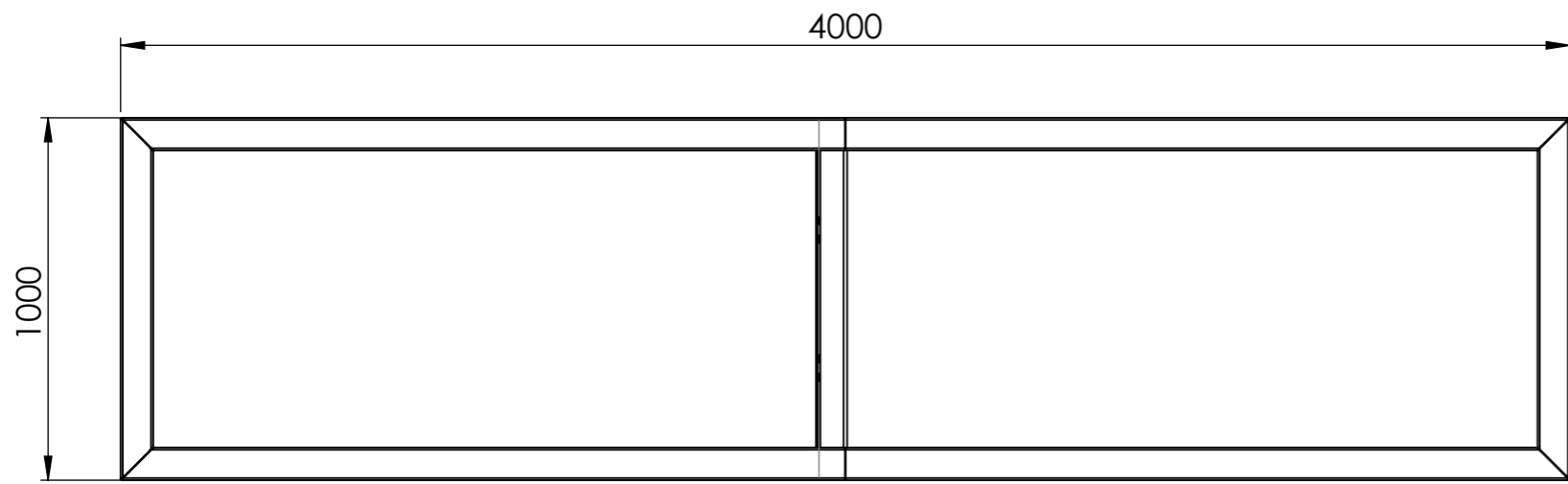
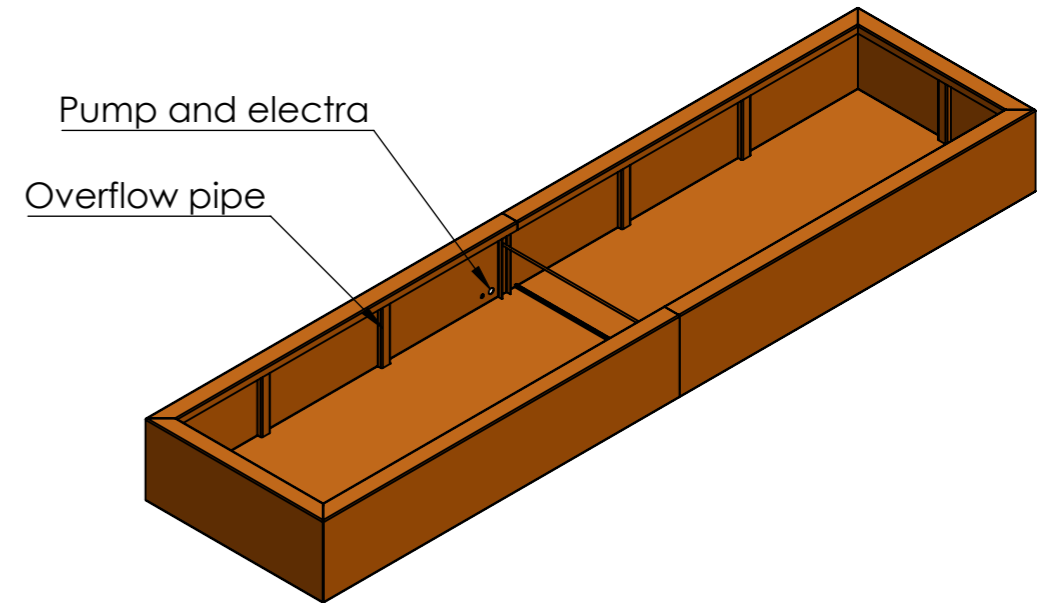
DETAIL A  
SCALE 1 : 5



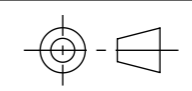
DETAIL B  
SCALE 1 : 5



DETAIL C  
SCALE 1 : 5



DRAWN	Luuk van den Heuvel	DATE	2-2-2020
REVISION	Bas Vlamings	DATE	5-4-2024



TITLE:	3mm Corten	
Drawing:	VC3.1__	A3

**ADEZZ**  
DESIGN TO GROW

Liessentstraat 4, 5405 AG Uden (NL).  
 † 0031 (0)413 - 27 41 68.  
 e info@adezz.com, i www.adezz.com

Color:	-	Mass (kg):	<b>258,66</b>	SCALE:1:20	SHEET 1 OF 17
--------	---	------------	---------------	------------	---------------